

Specifications

Style: Square Planter

Width: 12"

Length: 12"

Height: 30"

Gauge: 18 ga

Patina: Light Antique Copper

Texture: Smooth

Sealer: Sealed

Quantity: 1

Comments:

Weight: 26 lbmass

Proprietary Notice

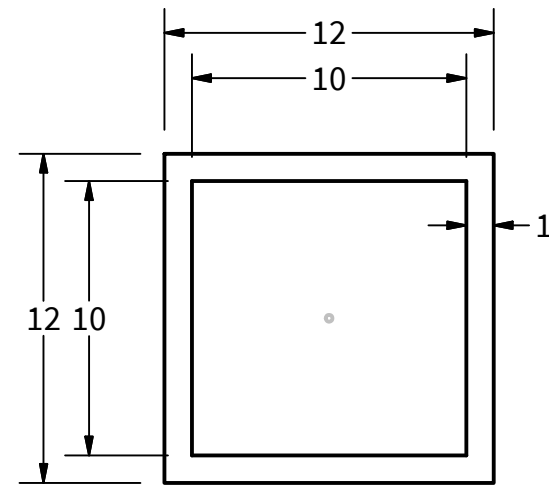
This drawing sheet and contents herein are the property of CopperSmith. Use of this drawing, contents or design concepts for purposes other than estimating, drawing preparation and/or manufacturing for CopperSmith shall be cause for legal recourse by CopperSmith.

Drawn Date
11/27/2018

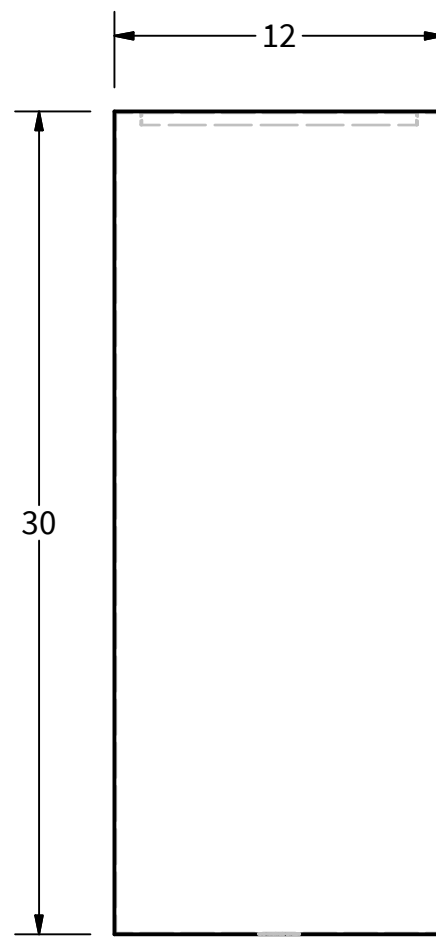
Scale
1 : 7

Square Planter
CSPL-100

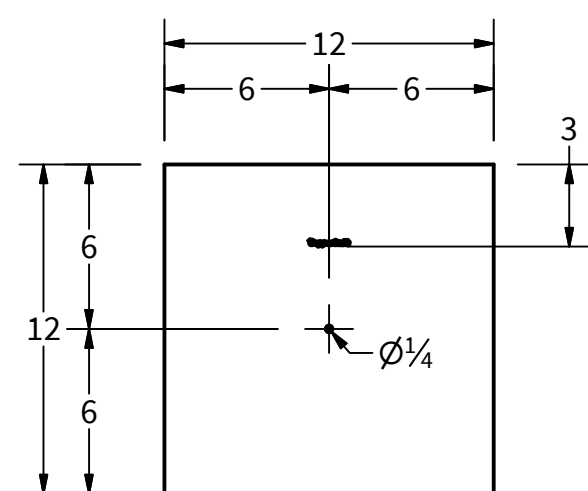
CSPL-100-1230-18



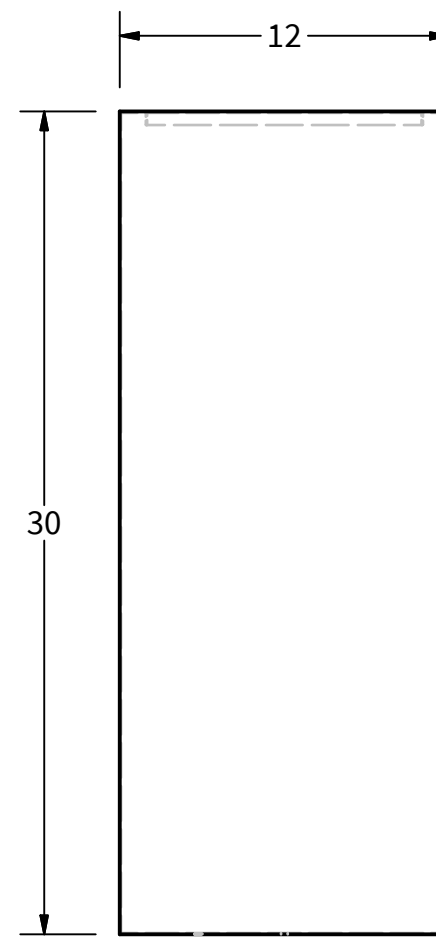
TOP VIEW



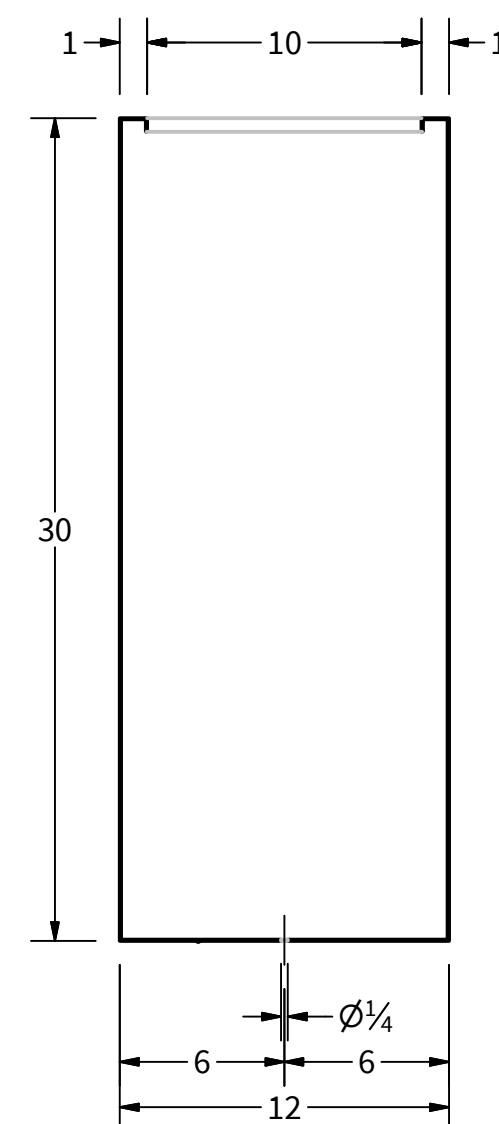
FRONT VIEW



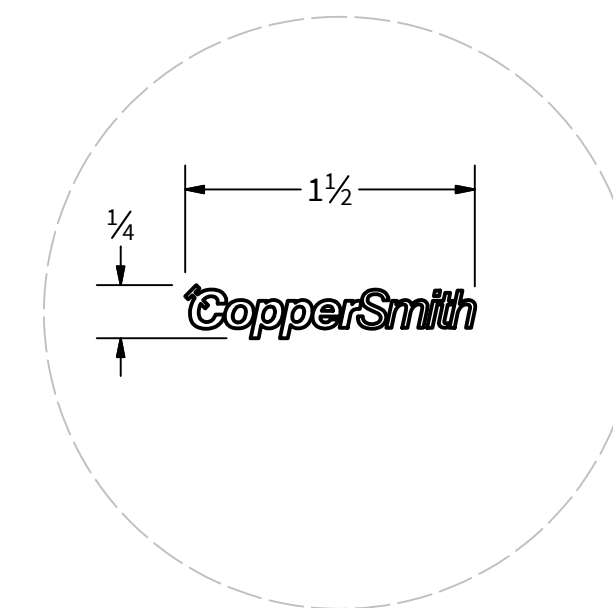
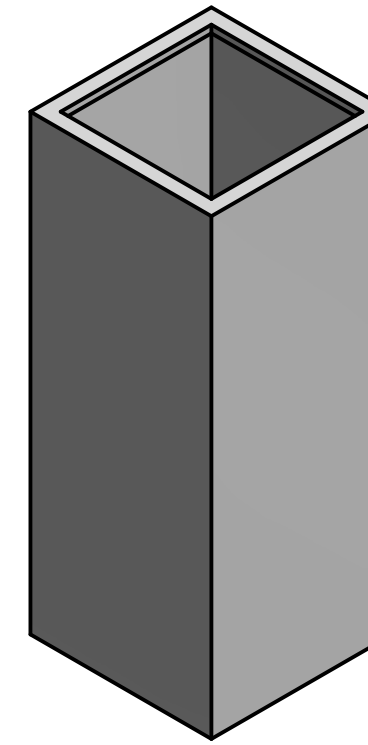
BOTTOM VIEW



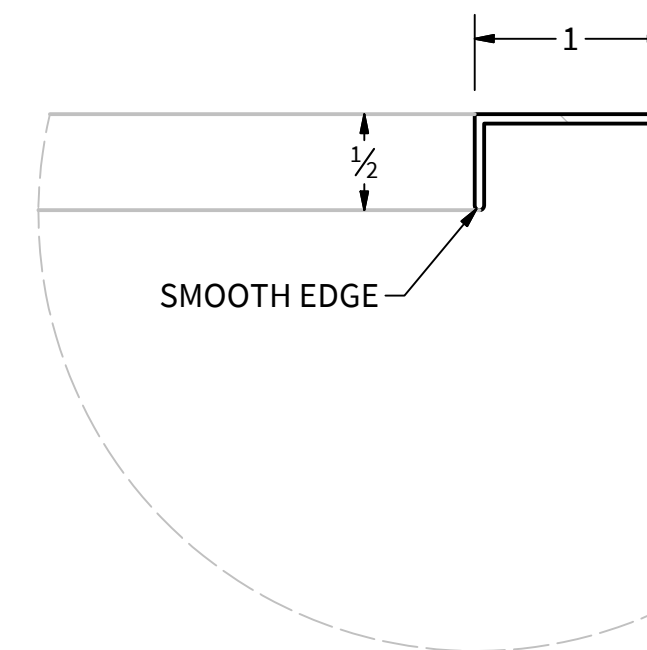
SIDE VIEW



SECTION VIEW



LOGO DETAIL



RIM DETAIL