
BARBECUE GRILL LINER

Enhance your BBQ
grilling and capture
the professional
chef's experience

*Engineered for beauty
and performance...*



DISTINCTIVE DESIGN

- Simplicity of design and function
- Available in 36", 42", 48", 54", 60", 66" and 72" widths
- Generously proportioned 32" depth of liner provides an exceptional capture area
- Design of the stainless steel commercial baffle filters adds a professional form

ENDURING QUALITY

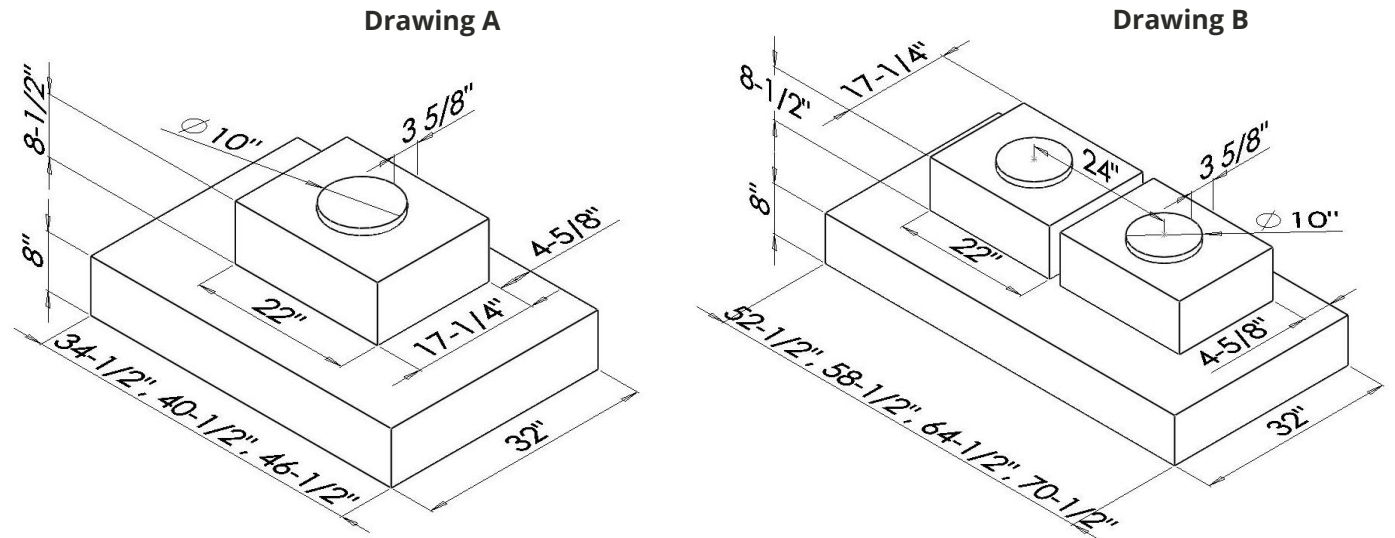
- Powerful Internal Blowers Deliver 1200CFM or 2300CFM
- Heavy gauge commercial stainless steel (#304 grade with #4 brush finish)
- Four 12" by 14" baffle filters for enhanced performance (six or eight filters on larger models)
- Dimmable 50 watt halogen lights
- Optional in-line blowers deliver 1266 CFM

EASY INSTALLATION & CLEANING

- Remote blower models are pre-wired for use with most in-line or exterior blowers
- Liners with internal blowers are all pre-wired and ready for installation
- Top 10" round discharge (two 10" on larger models)
- Durable, dishwasher safe commercial stainless steel baffle filters
- All stainless steel interior design is easy to keep clean and eliminates grease traps

*Our latest BBQ Grill Liner features cutting-edge design for maximum performance
and beautiful style to bring you the ultimate barbecuing experience.*

BARBECUE GRILL LINER



Drawing	Model	Size	CFM	3-speed Motors	In-Line/Remote Blower	Halogen Lights	SS Baffle Filters	Top Discharge	Variable Light Control
A	CSPI-36B	36"			X	X	X	X	X
A	CSPI-36B-12	36"	1200	X		X	X	X	X
A	CSPI-42B	42"			X	X	X	X	X
A	CSPI-42B-12	42"	1200	X		X	X	X	X
A	CSPI-48B	48"			X	X	X	X	X
A	CSPI-48B-12	48"	1200	X		X	X	X	X
B	CSPI-54B	54"			X	X	X	X	X
B	CSPI-54B-23	54"	2300	X		X	X	X	X
B	CSPI-60B	60"			X	X	X	X	X
B	CSPI-60B-23	60"	2300	X		X	X	X	X
B	CSPI-66B	66"			X	X	X	X	X
B	CSPI-66B-23	66"	2300	X		X	X	X	X
B	CSPI-72B	72"			X	X	X	X	X
B	CSPI-72B-23	72"	2300	X		X	X	X	X

- All models exhaust vertically through a 10" round duct (two 10" on larger models)
- All dimensions are nominal +/- 1/8"
- Center of .875" electrical access holes are 2.5" from rear edge & 1.25" from both outside edges

World CopperSmith, LLC has a policy of continuous improvements and reserves the right to modify (at any time without notice) any or all of its products, features, designs, components and specifications. For further information on installation and wiring, see the installation instructions included with the product or visit us on the web.

For more information please contact your dealer or your CopperSmith representative.



World CopperSmith, LLC
 7700 68th Ave #100, Brooklyn Park, MN 55428
 888-431-4677
 WorldCopperSmith.com



CopperSmith

©Copyright 2020 World CopperSmith, LLC