

Specifications

Style: Square Planter

Width: 18"

Length: 18"

Height: 40"

Gauge: 18 ga

Patina: Aged Copper

Texture: Hand Hammered

Sealer: Unsealed

Quantity: 1

Comments:

Weight: 51 lbmass

Proprietary Notice

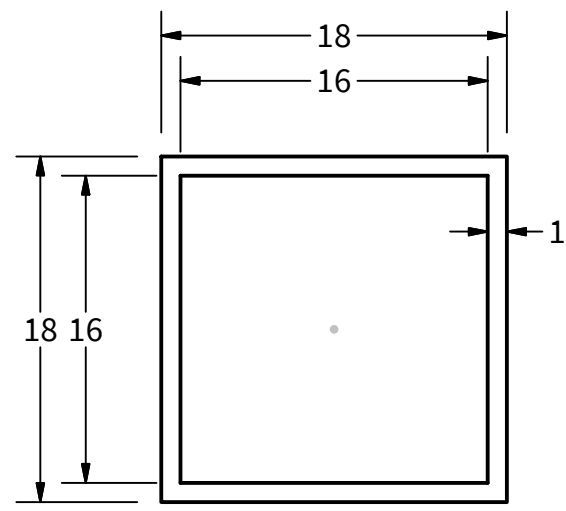
This drawing sheet and contents herein are the property of CopperSmith. Use of this drawing, contents or design concepts for purposes other than estimating, drawing preparation and/or manufacturing for CopperSmith shall be cause for legal recourse by CopperSmith.

Drawn Date
11/27/2018

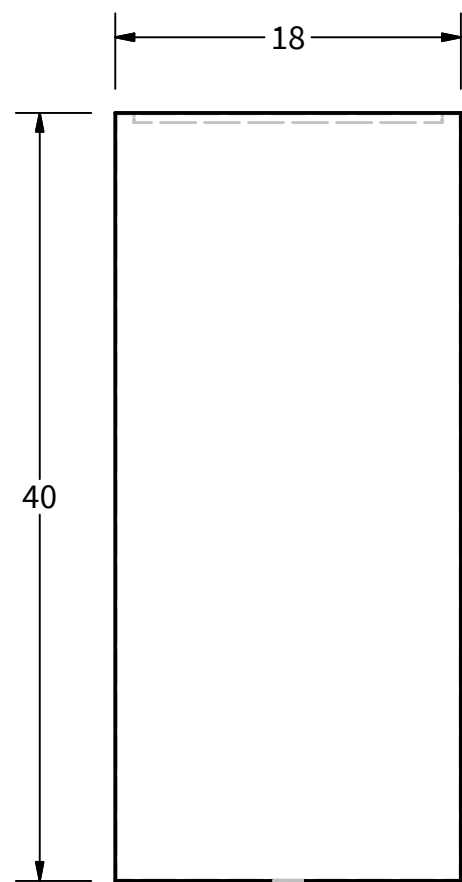
Scale
1 : 10

Square Planter
CSPL-100

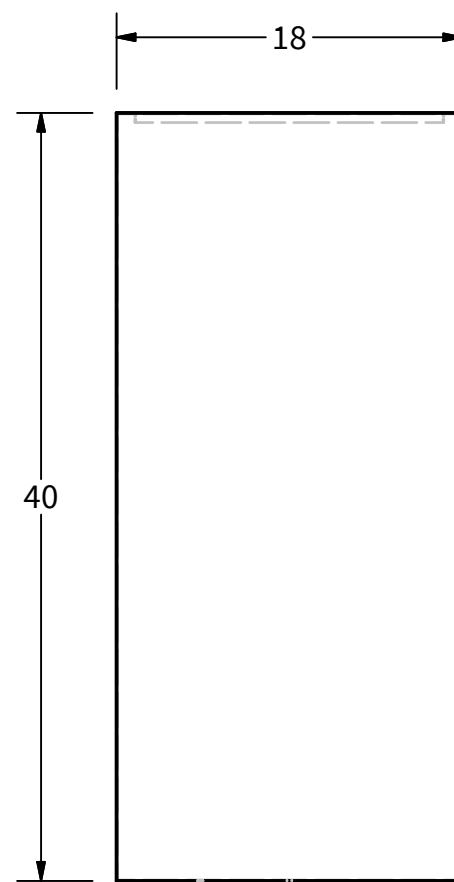
CSPL-100-1840-18



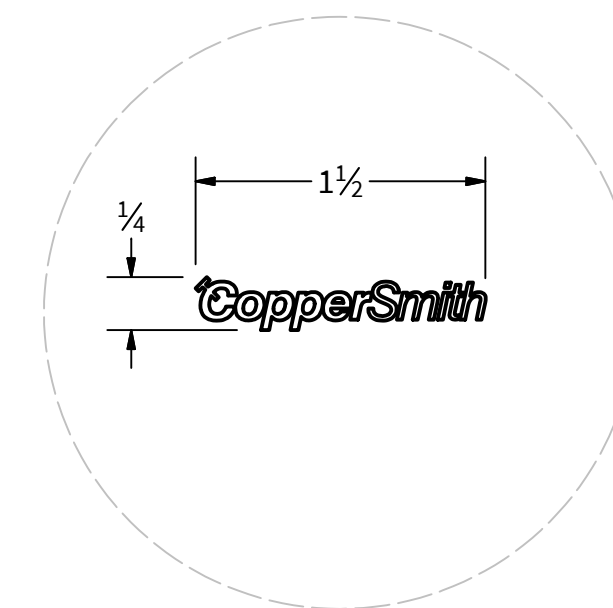
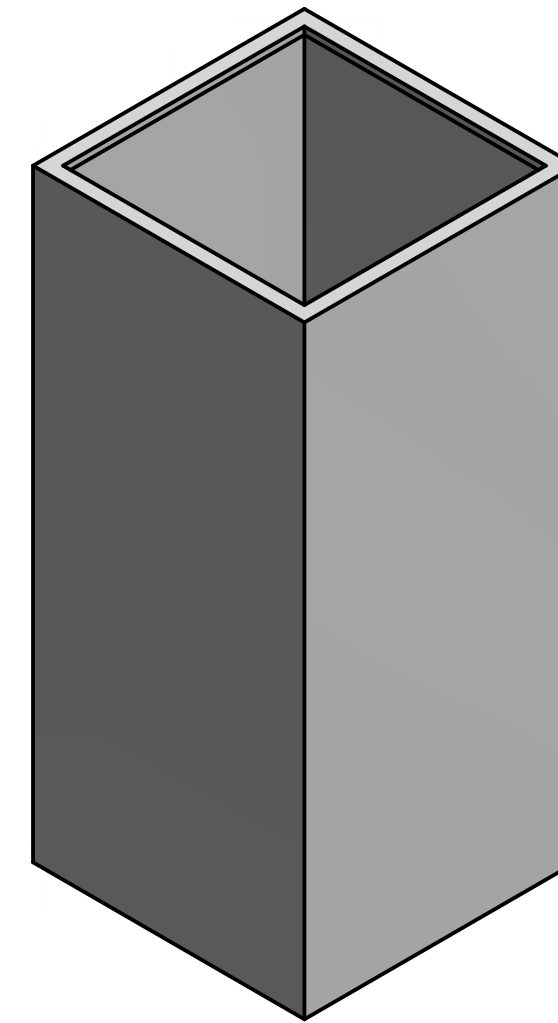
TOP VIEW



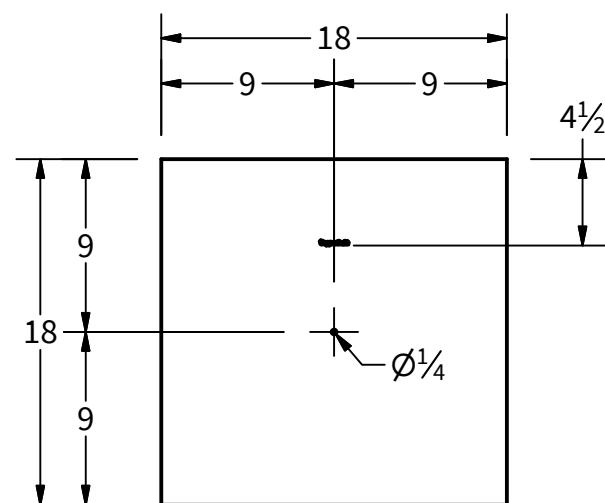
FRONT VIEW



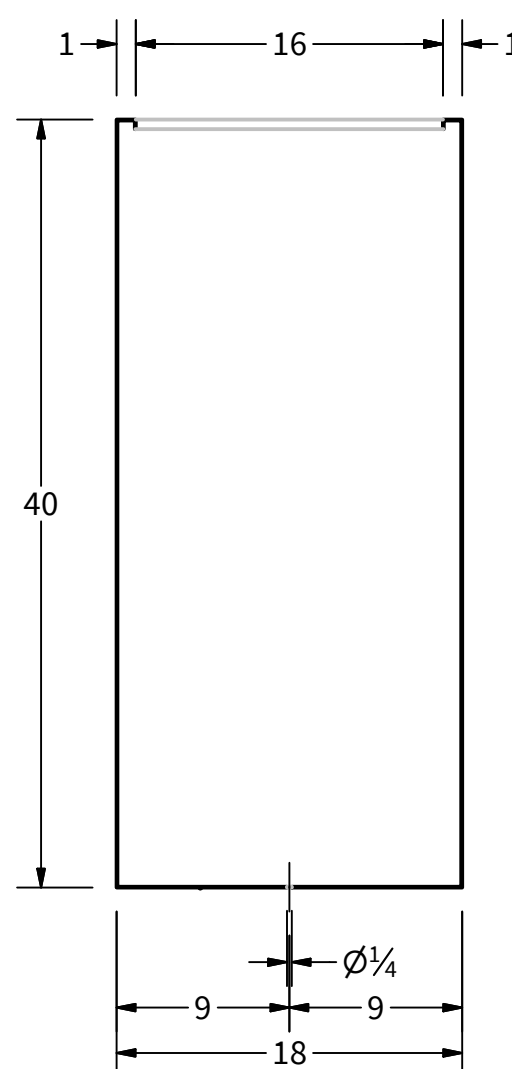
SIDE VIEW



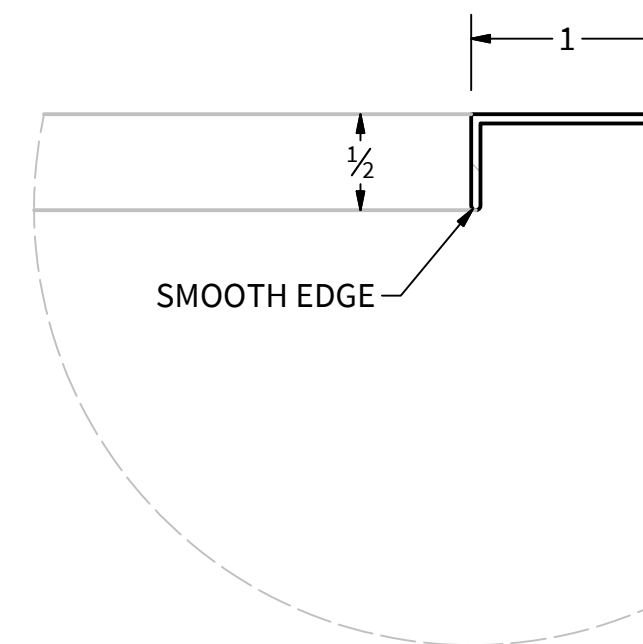
LOGO DETAIL



BOTTOM VIEW



SECTION VIEW



RIM DETAIL