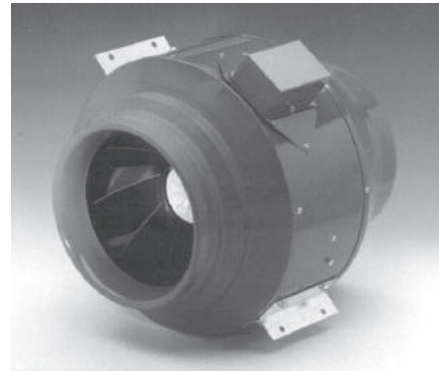


Professional Series Models:

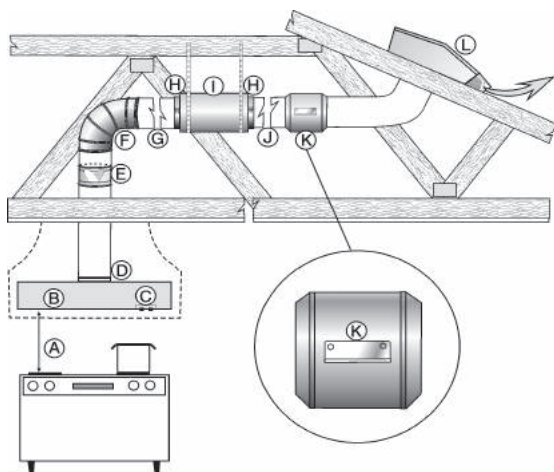
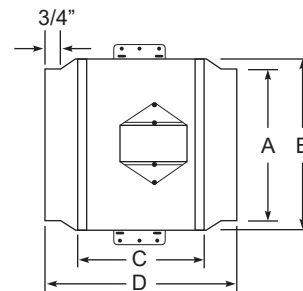
| Model | Weight | Amps | CFM |
|-------|--------|------|------|
| 395 | 12 lbs | 1.26 | 392 |
| 835 | 19 lbs | 2.99 | 836 |
| 1260 | 21 lbs | 4.84 | 1266 |



Description

Featuring a galvanized steel housing with a powdercoat finish, CopperSmith Remote Blowers are designed to be installed "in-line" with a CopperSmith or comparable hood blowers. These fans are specifically designed to provide efficient, high velocity air movement by combining the best elements of high flow axial designs with the power of a centrifugal squirrel cage blower. Direct Drive motor construction eliminates the need for continuous belt alignment, tension adjustments and maintenance.

| Model | A | B | C | D |
|---------|-----|---------|--------|---------|
| CSRB-6 | 6" | 13 1/4" | 6 1/2" | 8 1/4" |
| CSRB-8 | 8" | 12 1/2" | 7" | 15 1/2" |
| CSRB-10 | 10" | 14" | 8" | 15" |



Installation Considerations

CopperSmith Remote Blowers (K), Duct Silencers (I), Dampers (E) and Fast Clamps (H) can be installed in many configurations. Although the Remote Blower and Duct Silencer in this illustration are in a horizontal position, they can be installed at any angle.

Attic installations are highly recommended.

To ensure the overall ventilation system operates as designed, please carefully review the Installation Instructions included with the individual products. These guidelines are the manufacturer's suggestions. Always observe local, municipal and state building codes.



WARRANTY

CopperSmith Professional Series Kitchen Ventilation Products

What is Covered

CopperSmith warrants its CopperSmith Professional Series kitchen ventilation products to the original user, to be free of defects in materials and workmanship for three (3) years from the date of purchase.

CopperSmith, at its option, will repair or replace the complete unit or any defective component without charge. This warranty may be voided if any unauthorized service, alterations or repairs are made to the product.

What is Not Covered

- Normal maintenance and service of any product that has been subject to misuse, negligence, accident or installation inconsistent with the recommended installation instructions.
- Product used other than for normal in-home use or products used outside of the United States.
- Damage to the product caused by accident, fire, flood or other acts of God.
- Service calls to educate the customer in the proper use and care of the product, correct faulty installation, change fuses or reset breakers.

CopperSmith disclaims and excludes any liability for implied warranties or for incidental or consequential damages wherever permitted by law. There are no implied warranties of merchantability or fitness for a particular use or purpose. This warranty gives you specific legal rights and you may also have other rights, which vary from state to state.

For Service

If you need service, contact Customer Service at the address or phone number below. Provide the model number, serial number, part identification, and details of the problem. Proof of purchase must be provided.

Warranty Rev. 09/18/16

CopperSmith has a policy of continuous improvements and reserves the right to modify (at anytime and without notice) any or all of its products, features, designs, components and specifications.

For exact dimensions, see the Installation Instructions included with each product. Some features may be slightly different than shown on product literature.



For more information, please contact your dealer or CopperSmith

Phone: 1-888-431-4677

Email: support@worldcoppersmith.com

Website: worldcoppersmith.com

