

For those who need ventilation performance and desire the commercial style baffle filters, our CopperSmith Pro Insert Liner will exceed your expectations.

CSPI SERIES

EASY CLEANING

- Dishwasher safe commercial baffle filters
- Leading edge design is easy to clean. Eliminates grease traps.

QUIET OPERATION

- Rubber-mounted motor and large, blowers reduce sound and vibration noise (395, 610 & 1250 CFM models)
- Variable or 3-speed motor control (varies by model) reduces blower and air movement sound
- Large, baffle filters reduce air movement sound
- Sound absorbing duct silencers, Neoprene® lined sound absorbing fast clamps and dampers available

ENDURING QUALITY

- Internal motor models deliver 1250 CFM, 610 CFM or 395 CFM-(Code Compliant)
- Optional in-line blowers deliver 1260 CFM or 835 CFM
- Commercial grade stainless steel (#304, 24-gauge) and galvanized steel construction
- Oversized baffle filters improve ventilation performance
- Two dimmable 50-watt halogen lights brighten cooking area; three on 4812, 5412 & 6012 models
- Performance tested by Energy Systems Laboratory at Texas A&M University

DISTINCTIVE LOW PROFILE DESIGN

- Style complements all custom and manufactured range hood designs
- Electronic touch controls with blue LED lighting (3-speed internal motor models). Metallic control knobs on all variable speed remote blower models.
- Simplicity of design preferred by home owners

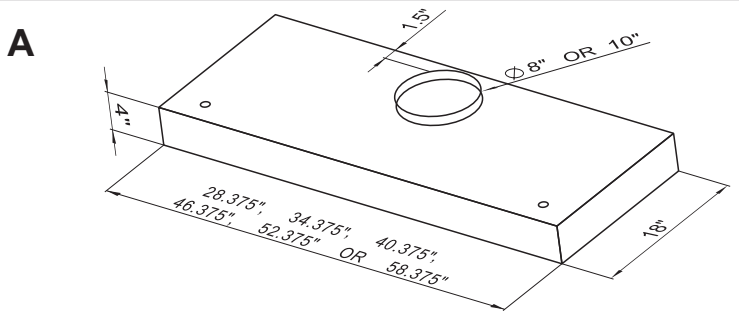
EASY INSTALLATION

- Remote blower models pre-wired for use with most in-line or exterior blowers
- Installs easily in standard size or custom built range hoods

PROFESSIONAL INSERT LINERS

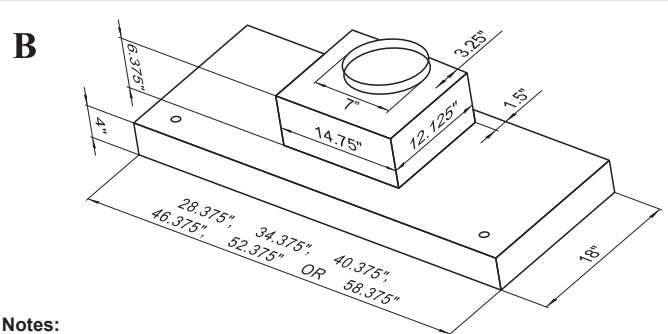
Pic	CFM	Models Available (by Width)						Sones	Control	Blower
		28 ³ / ₈ "	34 ³ / ₈ "	40 ³ / ₈ "	46 ³ / ₈ "	52 ³ / ₈ "	58 ³ / ₈ "			
A	-	CSPI - 30	CSPI - 36	CSPI - 42	CSPI - 48	CSPI - 54	CSPI - 60	N/A	Variable	In-Line or Remote Mount Blower
B	395	CSPI - 303	CSPI - 363	CSPI - 423	CSPI - 486	-	-	7	3-Speed	Internal Motor
C	610	CSPI - 306	CSPI - 366	CSPI - 426	-	-	-	7.5	3-Speed	Internal Motor
D	1250	-	-	CSPI - 4212	CSPI - 4812	CSPI - 5412	CSPI - 6012	8.5	(2), 3-Speed	Two Internal Motors

*Drawings A, C, & D are also available in 22" depth order CSCI-22 MODELS



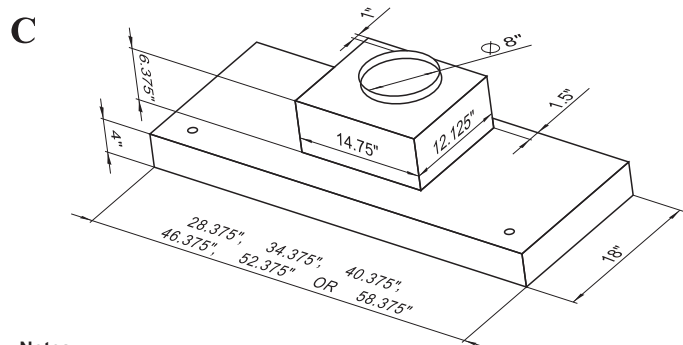
Notes:

- Center of electrical access is 2 1/2" from front & 4" from side of liner. Connection access is behind filters.
- Vent is 8" (models 30 & 36) or 10" (42, 48, 54, & 60). Damper not included.
- Length and width cutouts should be 1/8" larger than above dimensions.
- Liner only



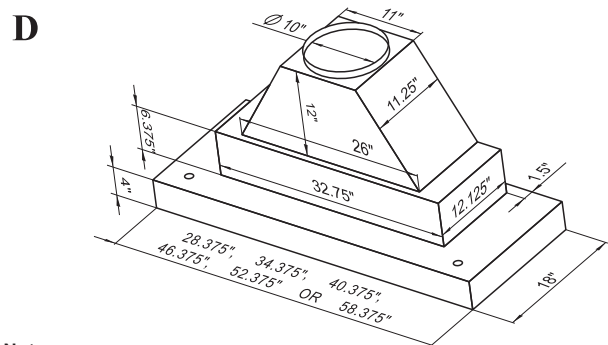
Notes:

- Center of electrical access is 2 1/2" from front & 4" from side of liner. Connection access is behind filters.
- Vent is centered left to right. Damper is included.
- Length and width cutouts should be 1/8" larger than above dimensions.
- 395 CFM



Notes:

- Center of electrical access is 2 1/2" from front and 4" from side of liner. Connection access is behind filters.
- Damper not included.
- Length and width cutouts should be 1/8" larger than above dimensions.
- 610 CFM



Notes:

- Center of electrical access is 2 1/2" from front and 4" from side of liner. Connection access is behind filters.
- Order Vent Transition accessory (Part # 3BL - 35 - 481). Damper not included.
- Length and width cutouts should be 1/8" larger than above dimensions.
- 1250 CFM
- 22" depth units DO NOT require the vent transition on top

CopperSmith has a policy of continuous improvements and reserves the right to modify (at any time without notice) any or all of its products, features, designs, components and specifications. For further information on installation and wiring, see the installation instructions included with the product or visit us on the web.

For more information please contact your dealer or CopperSmith



CopperSmith



Phone: 1-888-431-4677

Email: support@worldcoppersmith.com

Website: worldcoppersmith.com