

## Ventilation System Specifications

See following pages for ventilation system diagrams

### STANDARD 18" VENTILATION SYSTEM SPECIFICATIONS

Type	Model	Diagram	Width	Depth	Duct Size	Sones	Control	Amps	Blower
<b>Liner Only</b>	CSPI-30	A	28 3/8"	18"	8"	N/A	Variable	N/A	In-Line or Remote Mount Blower
	CSPI-36	A	34 3/8"	18"	8"	N/A	Variable	N/A	In-Line or Remote Mount Blower
	CSPI-42	B	40 3/8"	18"	10"	N/A	Variable	N/A	In-Line or Remote Mount Blower
	CSPI-48	B	46 3/8"	18"	10"	N/A	Variable	N/A	In-Line or Remote Mount Blower
	CSPI-54	B	52 3/8"	18"	10"	N/A	Variable	N/A	In-Line or Remote Mount Blower
	CSPI-60	B	58 3/8"	18"	10"	N/A	Variable	N/A	In-Line or Remote Mount Blower
<b>290 CFM Integrated Blower</b>	CSPI-302	C	28 3/8"	18"	6"	5	3-Speed	2.7	Internal Motor
	CSPI-362	C	34 3/8"	18"	6"	5	3-Speed	2.7	Internal Motor
	CSPI-422	C	40 3/8"	18"	6"	5	3-Speed	2.7	Internal Motor
	CSPI-482	C	46 3/8"	18"	6"	5	3-Speed	2.7	Internal Motor
<b>395 CFM Integrated Blower</b>	CSPI-303	D	28 3/8"	18"	7"	7	3-Speed	2.7	Internal Motor
	CSPI-363	D	34 3/8"	18"	7"	7	3-Speed	2.7	Internal Motor
	CSPI-423	D	40 3/8"	18"	7"	7	3-Speed	2.7	Internal Motor
<b>610 CFM Integrated Blower</b>	CSPI-306	E	28 3/8"	18"	8"	7.5	3-Speed	2.7	Internal Motor
	CSPI-366	E	34 3/8"	18"	8"	7.5	3-Speed	2.7	Internal Motor
	CSPI-426	E	40 3/8"	18"	8"	7.5	3-Speed	2.7	Internal Motor
	CSPI-486	E	46 3/8"	18"	8"	7.5	3-Speed	2.7	Internal Motor
<b>1260 CFM Integrated Blower</b>	CSPI-4212	F	40 3/8"	18"	10"	8.5	3-Speed	5.2	Dual Internal Motors
	CSPI-4812	F	46 3/8"	18"	10"	8.5	3-Speed	5.2	Dual Internal Motors
	CSPI-5412	F	52 3/8"	18"	10"	8.5	3-Speed	5.2	Dual Internal Motors
	CSPI-6012	F	58 3/8"	18"	10"	8.5	3-Speed	5.2	Dual Internal Motors

### PROFESSIONAL 22" VENTILATION SYSTEM SPECIFICATIONS

Type	Model	Diagram	Width	Depth	Duct Size	Sones	Control	Amps	Blower
<b>Liner Only</b>	CSPI-36-22	G	34 3/8"	22"	8"	N/A	Variable	N/A	In-Line or Remote Mount Blower
	CSPI-42-22	H	40 3/8"	22"	10"	N/A	Variable	N/A	In-Line or Remote Mount Blower
	CSPI-48-22	H	46 3/8"	22"	10"	N/A	Variable	N/A	In-Line or Remote Mount Blower
	CSPI-54-22	H	52 3/8"	22"	10"	N/A	Variable	N/A	In-Line or Remote Mount Blower
	CSPI-60-22	H	58 3/8"	22"	10"	N/A	Variable	N/A	In-Line or Remote Mount Blower
<b>610 CFM Integrated Blower</b>	CSPI-366-22	I	34 3/8"	22"	8"	7.5	3-Speed	2.7	Internal Motor
	CSPI-426-22	I	40 3/8"	22"	8"	7.5	3-Speed	2.7	Internal Motor
	CSPI-486-22	I	46 3/8"	22"	8"	7.5	3-Speed	2.7	Internal Motor
<b>1260 CFM Integrated Blower</b>	CSPI-4212-22	J	40 3/8"	22"	10"	8.5	3-Speed	5.2	Dual Internal Motors
	CSPI-4812-22	J	46 3/8"	22"	10"	8.5	3-Speed	5.2	Dual Internal Motors
	CSPI-5412-22	J	52 3/8"	22"	10"	8.5	3-Speed	5.2	Dual Internal Motors
	CSPI-6012-22	J	58 3/8"	22"	10"	8.5	3-Speed	5.2	Dual Internal Motors

**BBQ VENTILATION SYSTEM SPECIFICATIONS**

Type	Model	Diagram	Width	Depth	Duct Size	Sones	Control	Amps	Blower
<b>Liner Only</b>	CSPI-36B	K	34 ½"	32"	10"	N/A	Variable	N/A	In-Line or Remote Mount Blower
	CSPI-42B	K	40 ½"	32"	10"	N/A	Variable	N/A	In-Line or Remote Mount Blower
	CSPI-48B	K	46 ½"	32"	10"	N/A	Variable	N/A	In-Line or Remote Mount Blower
	CSPI-54B	L	52 ½"	32"	2x10"	N/A	Variable	N/A	In-Line or Remote Mount Blower
	CSPI-60B	L	58 ½"	32"	2x10"	N/A	Variable	N/A	In-Line or Remote Mount Blower
	CSPI-66B	L	64 ½"	32"	2x10"	N/A	Variable	N/A	In-Line or Remote Mount Blower
	CSPI-72B	L	70 ½"	32"	2x10"	N/A	Variable	N/A	In-Line or Remote Mount Blower
<b>1200 CFM Integrated Blower</b>	CSPI-36B-12	K	34 ½"	32"	10"	7.5	3-Speed	2.7	Internal Motor
	CSPI-42B-12	K	40 ½"	32"	10"	7.5	3-Speed	2.7	Internal Motor
	CSPI-48B-12	K	46 ½"	32"	10"	7.5	3-Speed	2.7	Internal Motor
<b>2300 CFM Integrated Blower</b>	CSPI-54B-32	L	52 ½"	32"	2x10"	8.5	3-Speed	5.2	Dual Internal Motors
	CSPI-60B-32	L	58 ½"	32"	2x10"	8.5	3-Speed	5.2	Dual Internal Motors
	CSPI-66B-32	L	64 ½"	32"	2x10"	8.5	3-Speed	5.2	Dual Internal Motors
	CSPI-72B-32	L	70 ½"	32"	2x10"	8.5	3-Speed	5.2	Dual Internal Motors

**REMOTE BLOWER KIT SPECIFICATIONS** Remote Blower Kits include a hood liner, remote blower fan, fast clamps, damper, and silencer.

Type	Width	Depth	Liner	Blower	Clamps	Damper	Silencer	Duct Size	Amps
<b>390 CFM Remote Blower Kit</b>	28 ¾"	18"	CSPI-30	CSRB-6	CS-C6	CS-D6	CSDS-6	6"	1.26
	34 ¾"	18"	CSPI-36	CSRB-6	CS-C6	CS-D6	CSDS-6	6"	1.26
<b>835 CFM Remote Blower Kit</b>	28 ¾"	18"	CSPI-30	CSRB-8	CS-C8	CS-D8	CSDS-8	8"	2.99
	34 ¾"	18"	CSPI-36	CSRB-8	CS-C8	CS-D8	CSDS-8	8"	2.99
	40 ¾"	18"	CSPI-42	CSRB-8	CS-C8	CS-D8	CSDS-8	8"	2.99
	46 ¾"	18"	CSPI-48	CSRB-8	CS-C8	CS-D8	CSDS-8	8"	2.99
<b>1260 CFM Remote Blower Kit</b>	40 ¾"	22"	CSPI-42-22	CSRB-10	CS-C10	CS-D10	CSDS-10	10"	4.84
	46 ¾"	22"	CSPI-48-22	CSRB-10	CS-C10	CS-D10	CSDS-10	10"	4.84
	52 ¾"	22"	CSPI-54-22	CSRB-10	CS-C10	CS-D10	CSDS-10	10"	4.84
	58 ¾"	22"	CSPI-60-22	CSRB-10	CS-C10	CS-D10	CSDS-10	10"	4.84

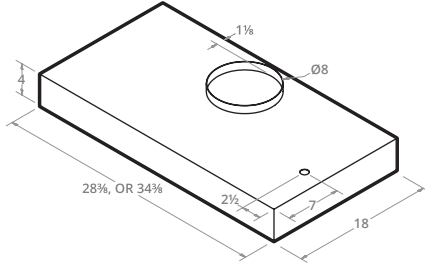
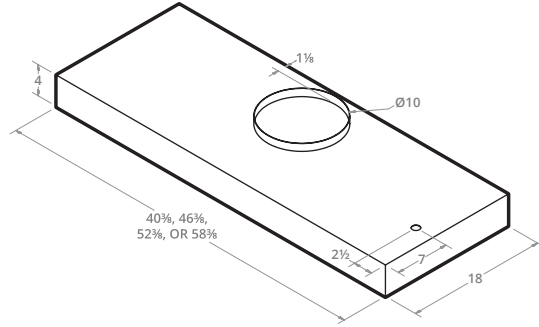
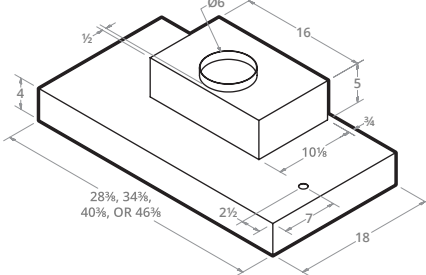
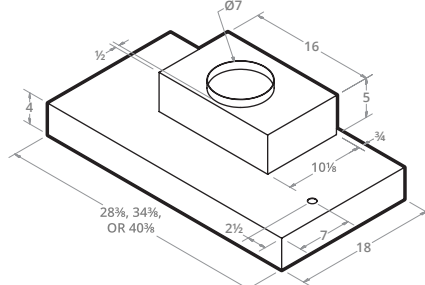
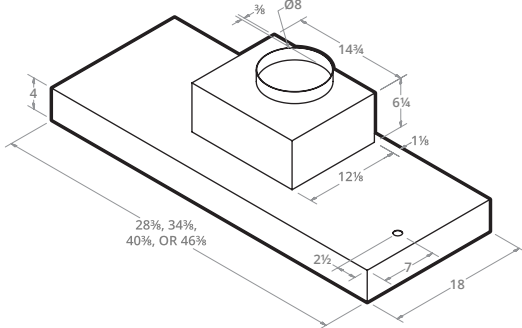
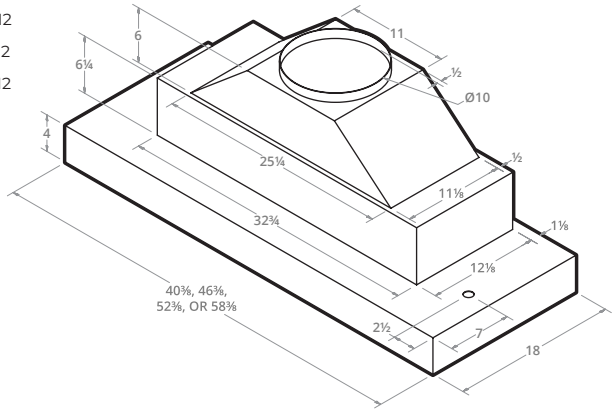
**REMOTE BLOWER FAN SPECIFICATIONS**

Model	CFM	Duct Size	Amps
CSRB-6	390	6"	1.26
CSRB-8	835	8"	2.99
CSRB-10	1260	10"	4.84

**DUCT SIZING CHART AND AREA CALCULATIONS**

Type	Size	Duct Type Required	Min. Discharge Size
6" Diameter, Round	28.3 in <sup>2</sup>	6" Round Metal Duct or	28.3 in <sup>2</sup>
		3.5" x 10" Rectangular Metal Duct	35 in <sup>2</sup>
7" Diameter, Round	38.5 in <sup>2</sup>	7" Round Metal Duct	38.5 in <sup>2</sup>
8" Diameter, Round	50.25 in <sup>2</sup>	8" Round Metal Duct or	50.25 in <sup>2</sup>
		6" x 9" Rectangular Metal Duct	54 in <sup>2</sup>
10" Diameter, Round	78.5 in <sup>2</sup>	10" Round Metal Duct	78.5 in <sup>2</sup>
3.25" x 10" Rectangular	32.5 in <sup>2</sup>	3.25" x 10" Rectangular Metal Duct	32.5 in <sup>2</sup>

**Standard 18" Ventilation Systems**

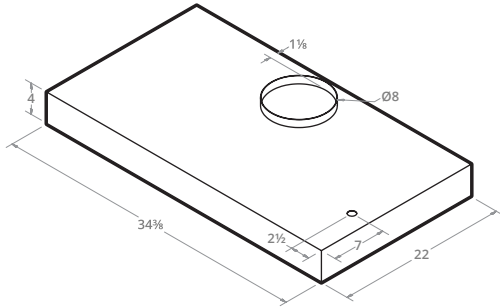
<p><b>A</b></p> <p>CSPI-30 CSPI-36</p> 	<p><b>B</b></p> <p>CSPI-42 CSPI-48 CSPI-54 CSPI-60</p> 
<p><b>C</b></p> <p>CSPI-302 CSPI-362 CSPI-422 CSPI-482</p> 	<p><b>D</b></p> <p>CSPI-303 CSPI-363 CSPI-423</p> 
<p><b>E</b></p> <p>CSPI-306 CSPI-366 CSPI-426 CSPI-486</p> 	<p><b>F</b></p> <p>CSPI-4212 CSPI-4812 CSPI-5412 CSPI-6012</p> 

**CAUTION** - Cabinet or hood cutouts should be at least 1/8" larger than the outside dimensions.

**Professional 22" Ventilation Systems**

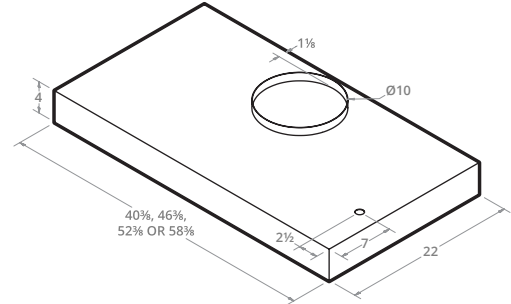
**G**

CSPI-36-22



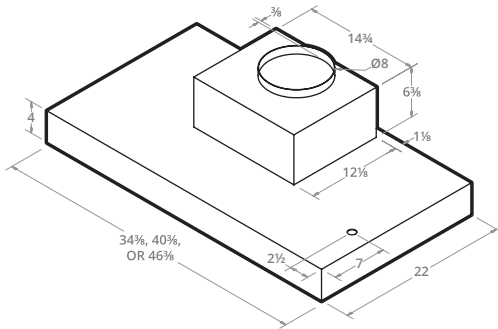
**H**

CSPI-42-22  
CSPI-48-22  
CSPI-54-22  
CSPI-60-22



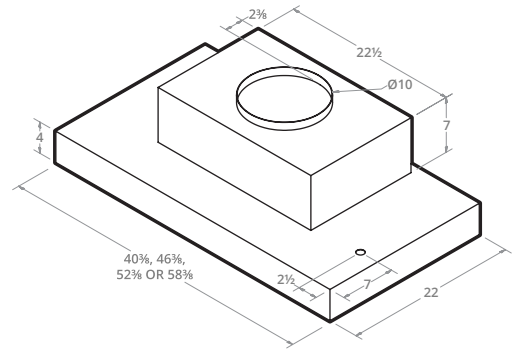
**I**

CSPI-366-22  
CSPI-426-22  
CSPI-486-22



**J**

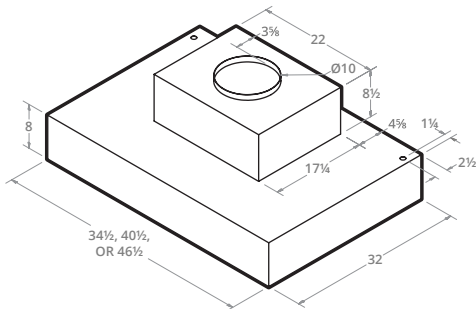
CSPI-4212-22  
CSPI-4812-22  
CSPI-5412-22  
CSPI-6012-22



**BBQ Ventilation Systems**

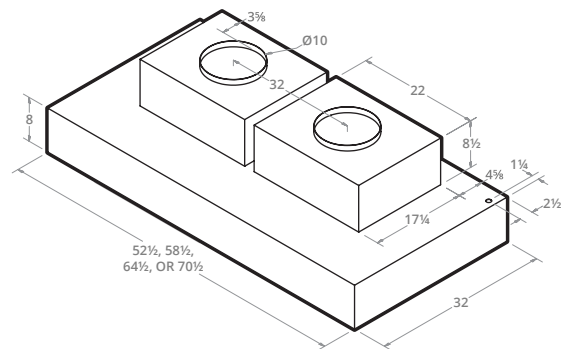
**K**

CSPI-36B  
CSPI-36B-12  
CSPI-42B  
CSPI-42B-12  
CSPI-48B  
CSPI-48B-12



**L**

CSPI-54B  
CSPI-54B-23  
CSPI-60B  
CSPI-60B-23  
CSPI-66B  
CSPI-66B-23  
CSPI-72B  
CSPI-72B-23



**⚠ CAUTION** - Cabinet or hood cutouts should be at least 1/8" larger than the outside dimensions.