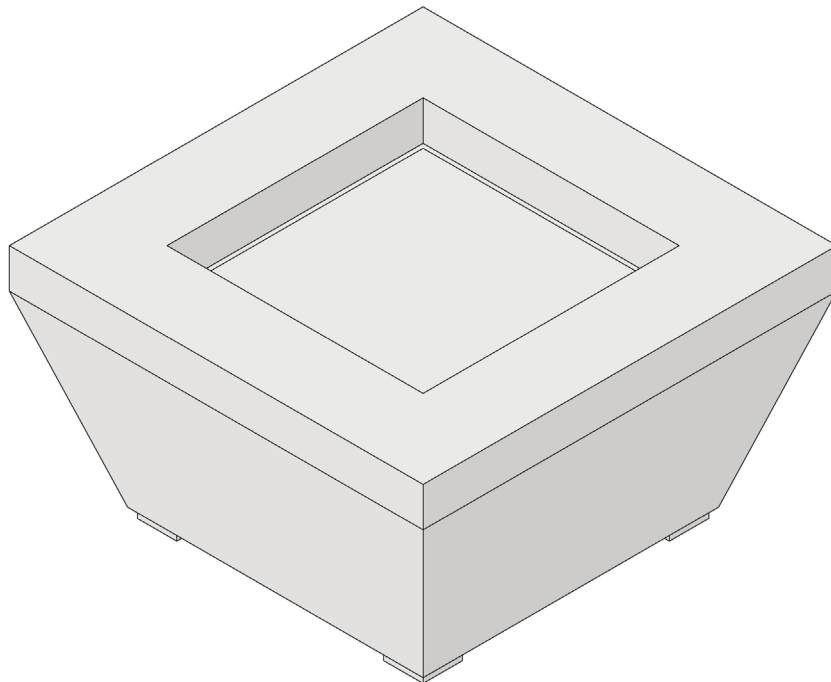


# Square Semi-tapered Fire Pit Reference Sheet

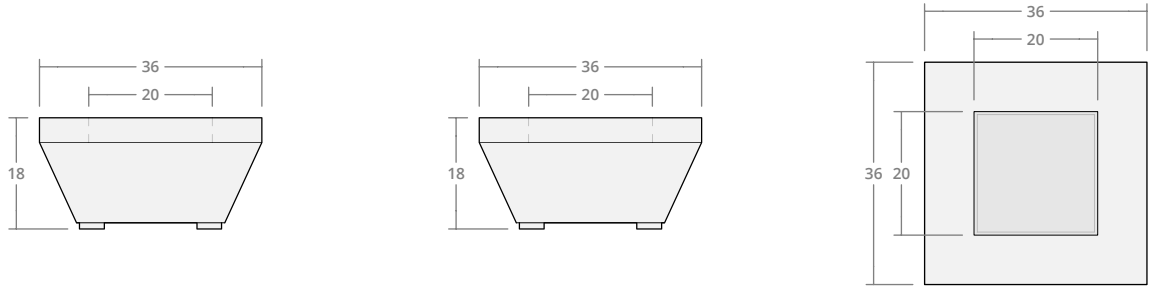
SQUARE SEMI-TAPERED  
FIRE PIT

Size	BURNER		AGGREGATE (RECOMMENDED)	
	Size	Output	Lava Rock	Fire Glass
36"W x 18"H	19" square	84,000 BTU	1 bag	21 lbs
36"W x 24"H	19" square	84,000 BTU	1 bag	21 lbs
42"W x 18"H	25" square	120,000 BTU	2 bags	35 lbs
42"W x 24"H	25" square	120,000 BTU	2 bags	35 lbs
48"W x 18"H	31" square	180,000 BTU	2 bags	53 lbs
48"W x 24"H	31" square	180,000 BTU	2 bags	53 lbs
54"W x 18"H	37" square	290,000 BTU	3 bags	75 lbs
54"W x 24"H	37" square	290,000 BTU	3 bags	75 lbs



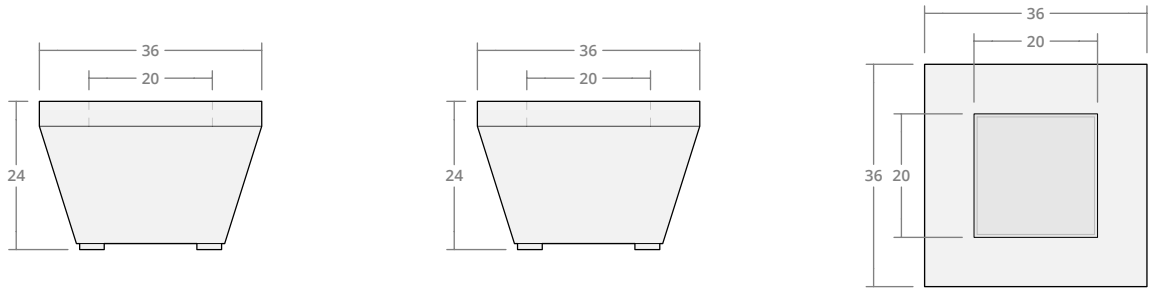
Square Semi-tapered 36W 18H

Dimensions: 36" L x 36" W x 18" H  
Burner Pan Size: 19" square  
Output: 84,000 BTU



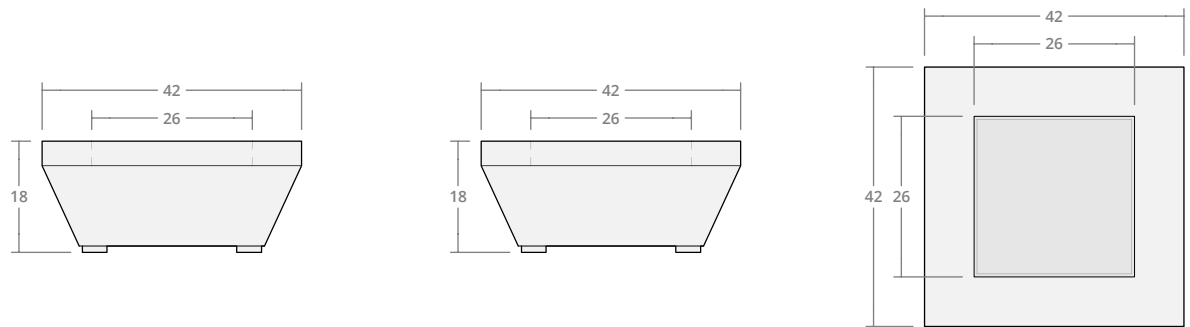
Square Semi-tapered 36W 24H

Dimensions: 36" L x 36" W x 24" H  
Burner Pan Size: 19" square  
Output: 84,000 BTU



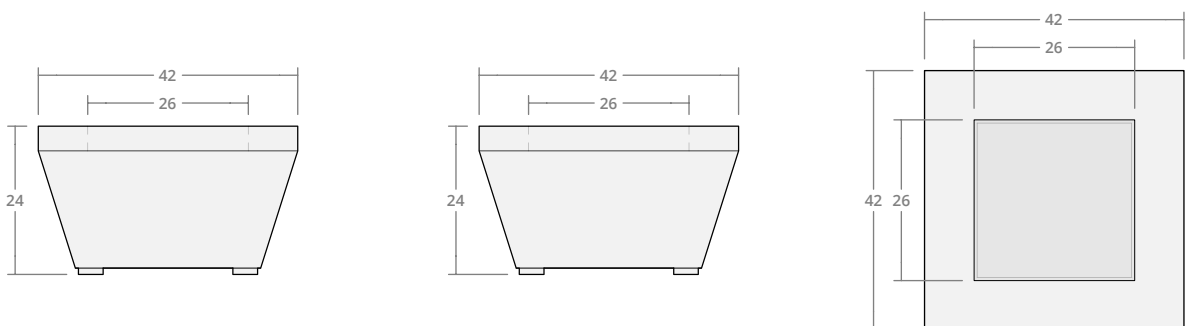
Square Semi-tapered 42W 18H

Dimensions: 42" L x 42" W x 18" H  
Burner Pan Size: 25" square  
Output: 120,000 BTU



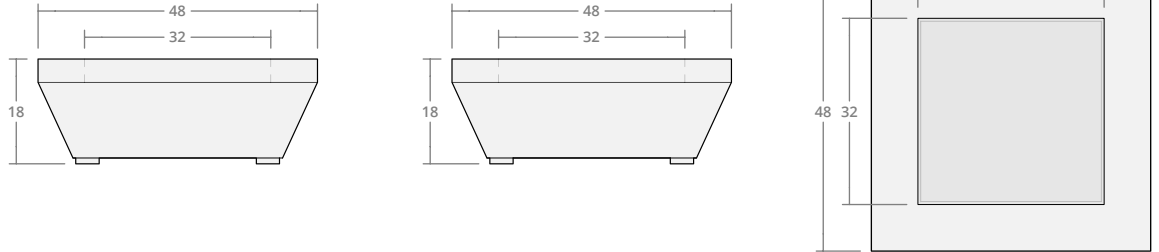
Square Semi-tapered 42W 24H

Dimensions: 42" L x 42" W x 24" H  
Burner Pan Size: 25" square  
Output: 120,000 BTU



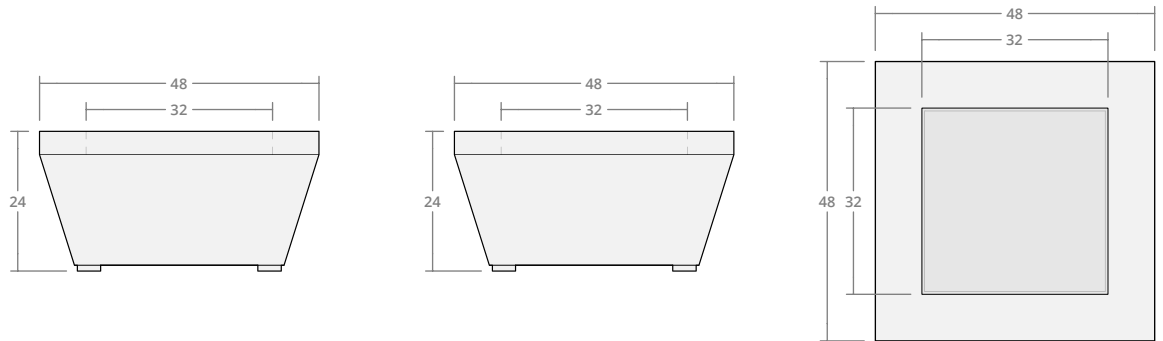
Square Semi-tapered 48W 18H

Dimensions: 48"L x 48"W x 18"H  
Burner Pan Size: 31" square  
Output: 180,000 BTU



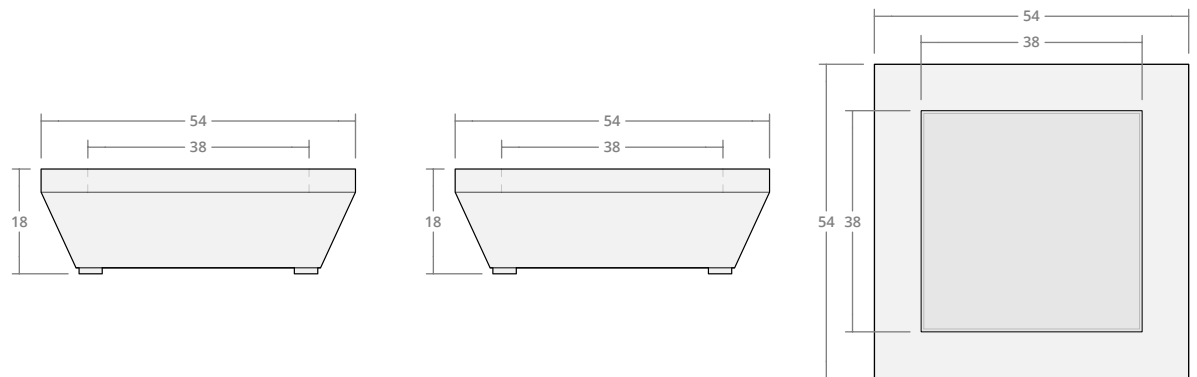
Square Semi-tapered 48W 24H

Dimensions: 48"L x 48"W x 24"H  
Burner Pan Size: 31" square  
Output: 180,000 BTU



Square Semi-tapered 54W 18H

Dimensions: 54"L x 54"W x 18"H  
Burner Pan Size: 37" square  
Output: 290,000 BTU



Square Semi-tapered 54W 24H

Dimensions: 54"L x 54"W x 24"H  
Burner Pan Size: 37" square  
Output: 290,000 BTU

