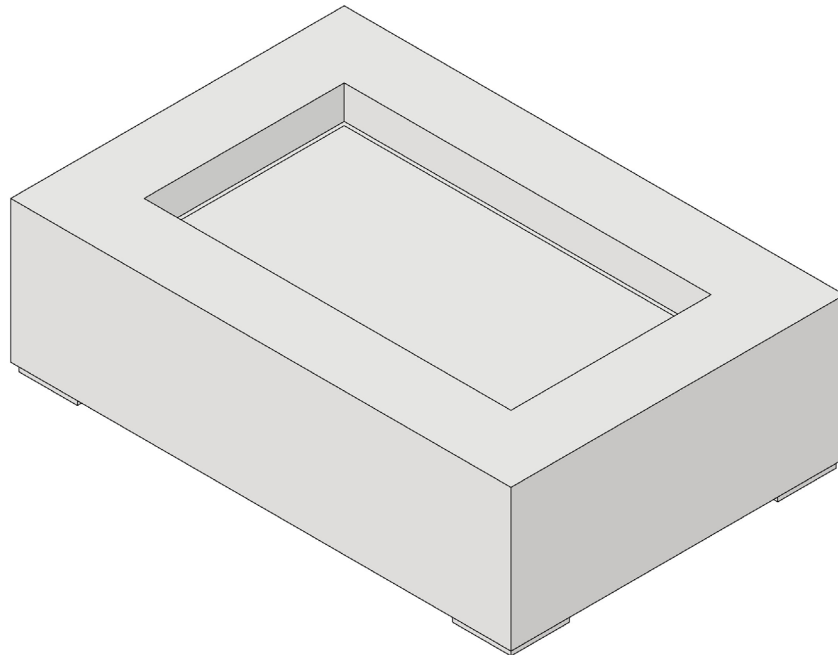


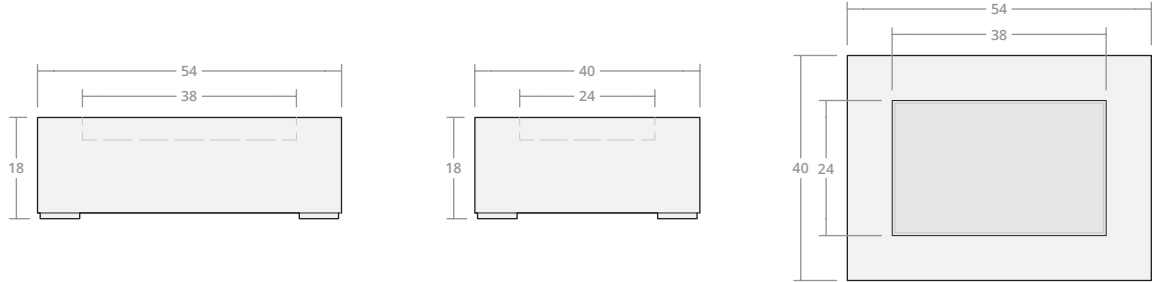
Rectangular Fire Pit Reference Sheet

RECTANGULAR FIRE PIT Size	BURNER		AGGREGATE (RECOMMENDED)	
	Size	Output	Lava Rock	Fire Glass
54" L x 40" W x 18" H	37" x 23"	170,000 BTU	2 bags	47 lbs
54" L x 40" W x 24" H	37" x 23"	170,000 BTU	2 bags	47 lbs
60" L x 40" W x 18" H	43" x 23"	230,000 BTU	2 bags	55 lbs
60" L x 40" W x 24" H	43" x 23"	230,000 BTU	2 bags	55 lbs
72" L x 40" W x 18" H	55" x 23"	290,000 BTU	3 bags	70 lbs
72" L x 40" W x 24" H	55" x 23"	290,000 BTU	3 bags	70 lbs



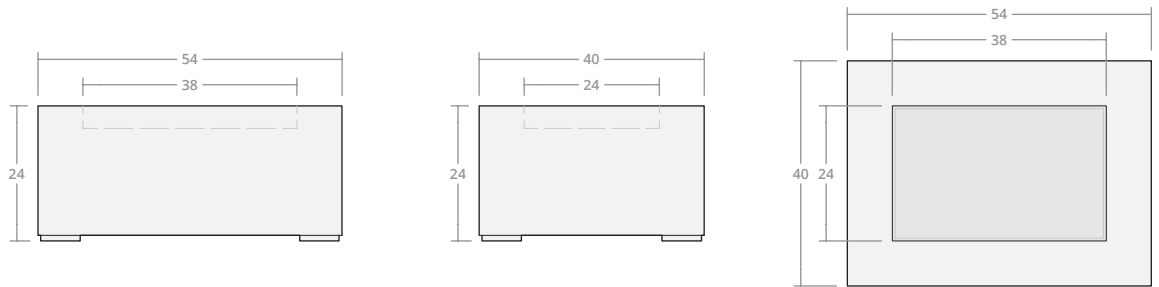
Rectangular 54L 18H

Dimensions: 54"L x 40"W x 18"H
Burner Pan Size: 37"L x 23"W
Output: 170,000 BTU



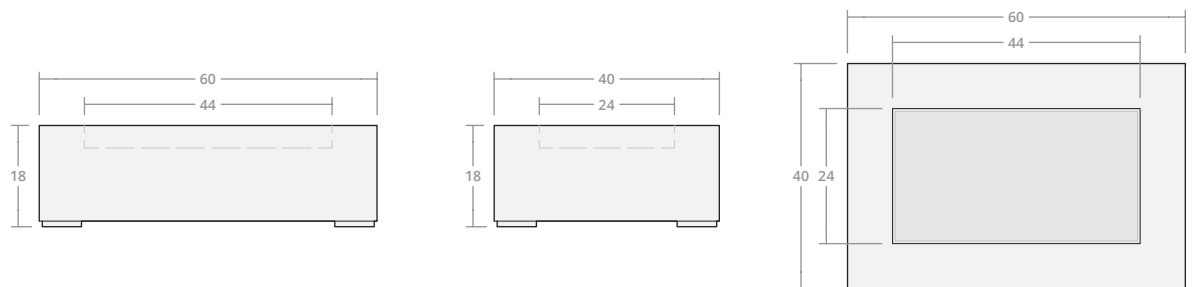
Rectangular 54L 24H

Dimensions: 54"L x 40"W x 24"H
Burner Pan Size: 37"L x 23"W
Output: 170,000 BTU



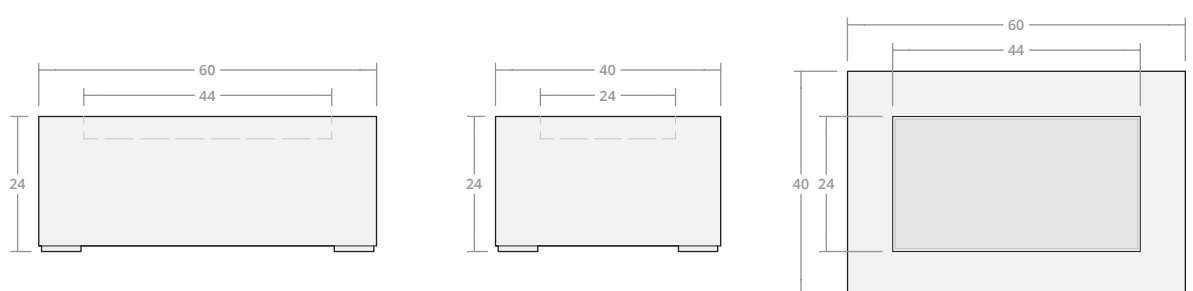
Rectangular 60L 18H

Dimensions: 60"L x 40"W x 18"H
Burner Pan Size: 43"L x 23"W
Output: 230,000 BTU



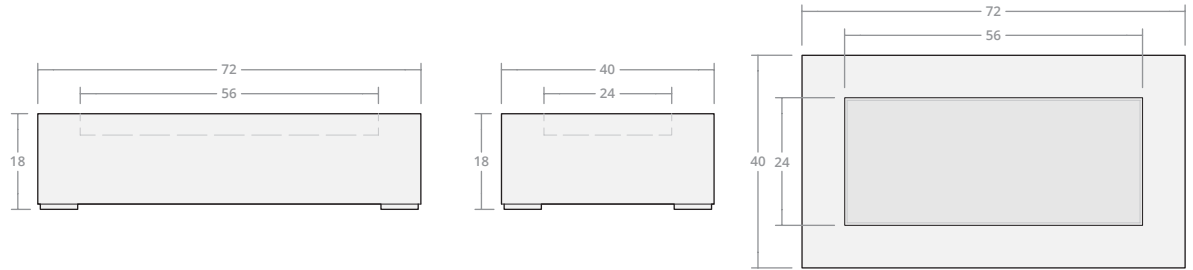
Rectangular 60L 24H

Dimensions: 60"L x 40"W x 24"H
Burner Pan Size: 43"L x 23"W
Output: 230,000 BTU



Rectangular 72L 18H

Dimensions: 72"L x 40"W x 18"H
Burner Pan Size: 55"L x 23"W
Output: 290,000 BTU



Rectangular 72L 24H

Dimensions: 72"L x 40"W x 24"H
Burner Pan Size: 55"L x 23"W
Output: 290,000 BTU

