

INSTALLATION INSTRUCTIONS

Parts Included

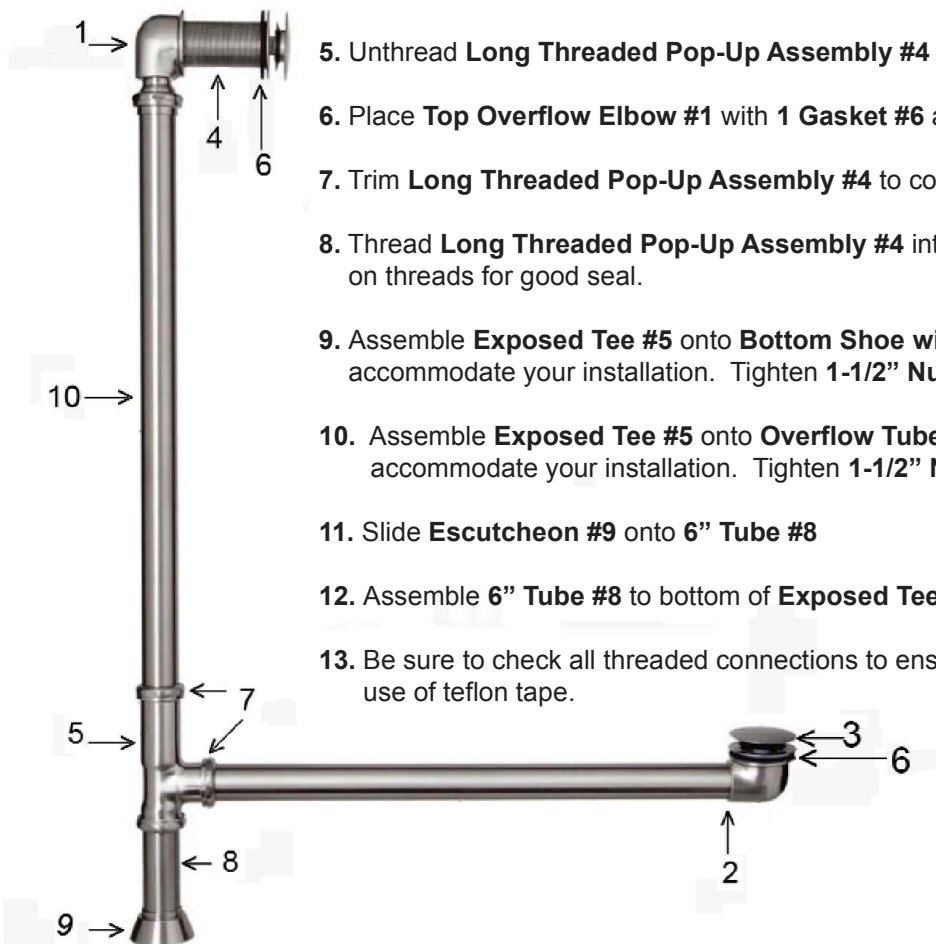
- Top Overflow Elbow (1) • Bottom Shoe with Tube (2) • Short Threaded Pop-Up Assembly(3) •
- Long Threaded Pop-Up Assembly(4) • Exposed Tee (5) • Two Large Gaskets (6) • Two 1-1/2" Nuts with Washers (7) •
- 6" Tube (8) • Escutcheon (9)) • Overflow tube (10) •

Tools Needed

- Wrench • Pliers • Teflon Tape (use as a sealant on all male threaded tubing) • Tube Cutter • Pipe Dope •

Assembly Instructions

1. Unthread **Short Threaded Pop-Up Assembly #3** from **Bottom Shoe with Tube #2**.
2. Place **Bottom Shoe with Tube #2** with **1 Gasket #6** beneath drain hole of tub.
3. Place bead of pipe dope around drain hole inside of tub.
4. Thread **Short Threaded Pop-Up Assembly #3** into **Bottom Tub Shoe #2**, using pipe dope or teflon tape on threads for good seal.
5. Unthread **Long Threaded Pop-Up Assembly #4** from **Top Overflow Elbow #1**.
6. Place **Top Overflow Elbow #1** with **1 Gasket #6** against overflow hole on outside of tub.
7. Trim **Long Threaded Pop-Up Assembly #4** to correct length for the thickness of your tub wall.
8. Thread **Long Threaded Pop-Up Assembly #4** into **Top Overflow Elbow #1**, using teflon tape on threads for good seal.
9. Assemble **Exposed Tee #5** onto **Bottom Shoe with Tube #2**. Tube may need to be trimmed to accommodate your installation. Tighten **1-1/2" Nut with Washer #7**.
10. Assemble **Exposed Tee #5** onto **Overflow Tube#11**. Tube may need to be trimmed to accommodate your installation. Tighten **1-1/2" Nut with Washer #7**.
11. Slide **Escutcheon #9** onto **6" Tube #8**
12. Assemble **6" Tube #8** to bottom of **Exposed Tee #5**. Slide **Escutcheon #9** into place on floor.
13. Be sure to check all threaded connections to ensure they are watertight. We recommend the use of teflon tape.



Cleaning Instructions

Wipe this whole set off with warm water and a soft cloth. DO NOT use soaps, cleansers, or brass cleaners as they will disintegrate the protective lacquer coating and leave the brass exposed causing it to tarnish.

NOTE: Please seek professional help if you have copper plumbing in your home.